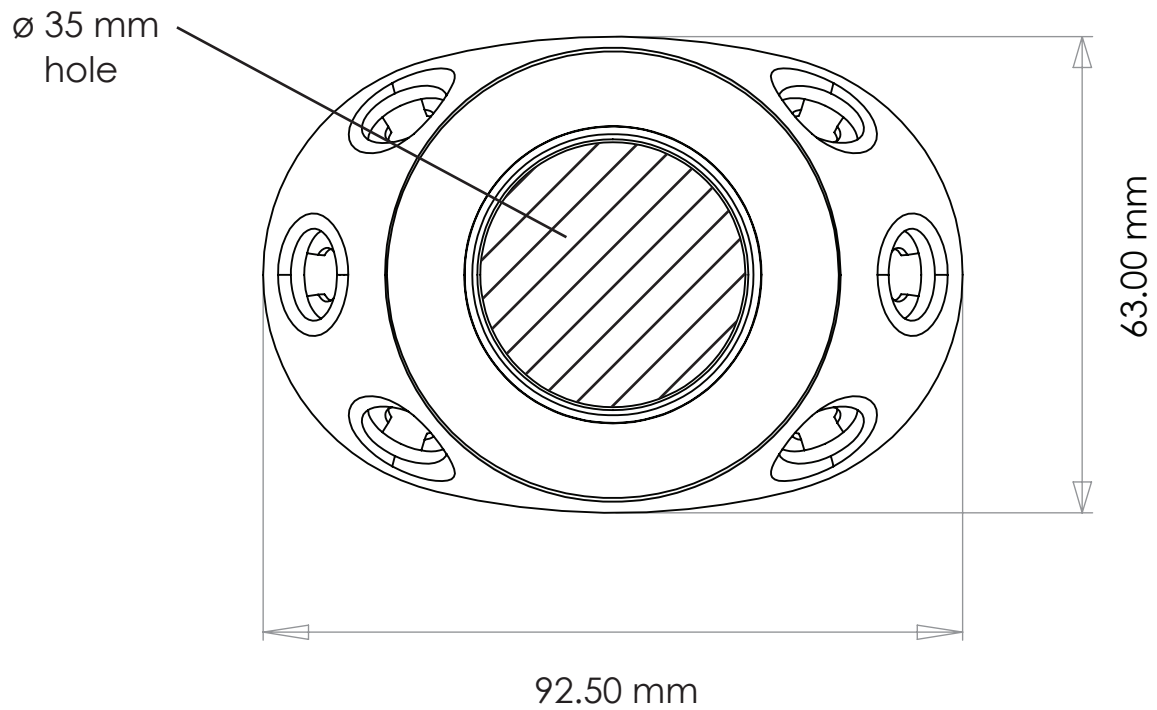


Automist under tap or surface mounted 1:1 scale footprint
(print to scale on A4)



Automist wall mount 1:1 scale footprint
(print to scale on A4)

60 mm deep cavity
for a single gang back box

